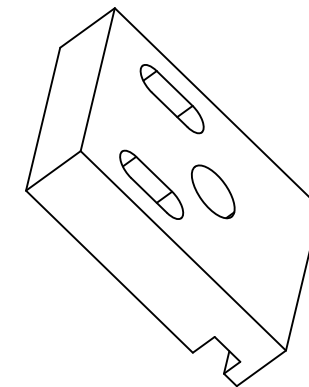
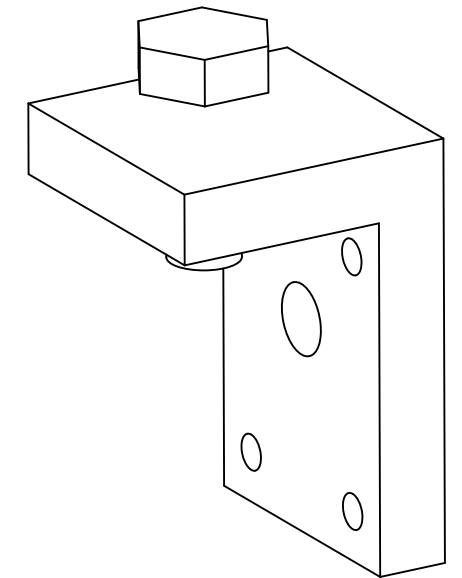



A	25/07/23	Création
B	04/10/23	ITEM 030 quotation modification
C	05/04/24	Ajout information
D	-	-
E	-	-
F	-	-



ITEM 010



ITEM 030

 Titre Montage portrait BSLA4	F -	
	E -	
Drawing Number FACA1 BSLA4	Sheet 1	D -
Author ASO	Material -	Thickness -
This drawing is Boisurel property, it can't be reproduced or communicated without our written consent		C 05/04/24
		B 04/10/23
		A 25/07/23